



# PDRxE

Revolution Euro

Contemporary two-, four-, or eight-button panel with backlit buttons

The Philips Dynalite Revolution user interface features a sleek, contemporary design and incorporates the latest in field effect technology. Each easy-to-press mechanical button can be customized with text or icons and programmed to perform a wide variety of local and site-wide control functions. The Revolution Euro range is suitable for, but not limited to, European, Middle Eastern, African and Asian markets.

# PDRxE

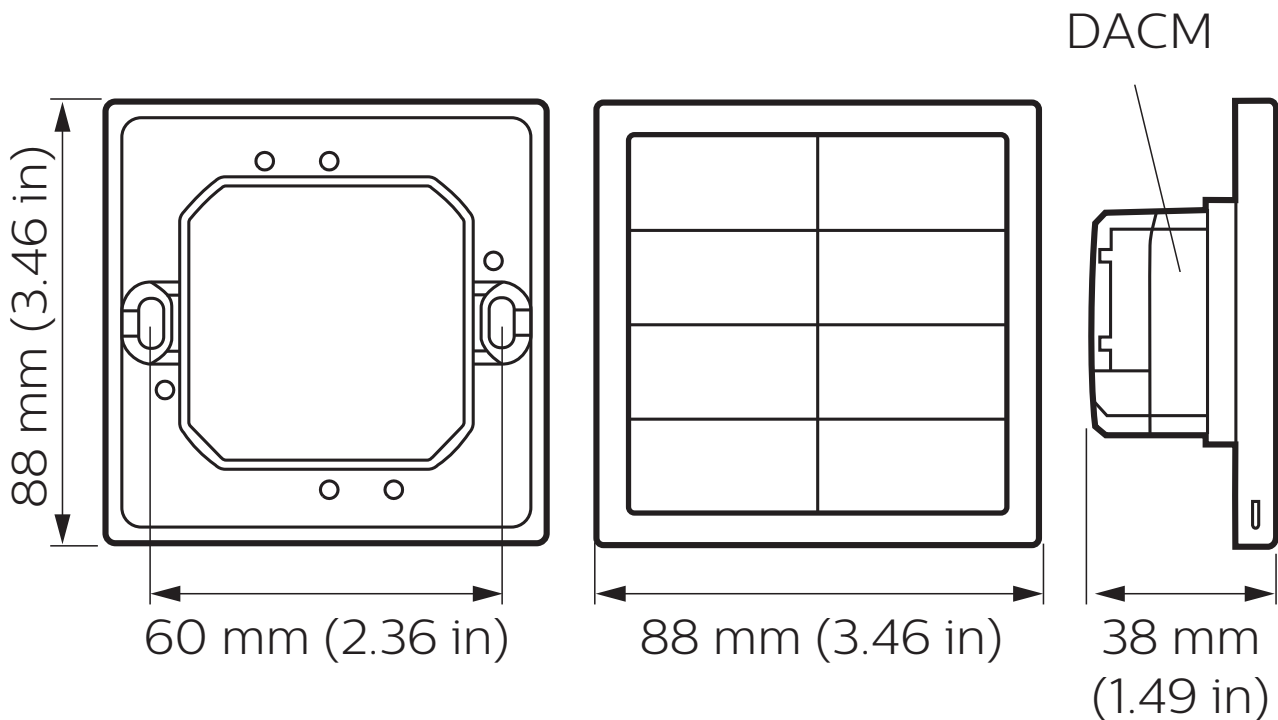
## Contemporary two-, four-, or eight-button panel with backlit buttons

- **Field effect technology\*** – The user interface detects an approaching user and lights up to encourage interaction.
- **Color backlight** – Customize each button's backlight from an RGB color palette.
- **Supplied as two components** – The Application Module contains buttons, frame, base and mounting plate, which can be mixed and matched to suit décor. The Communication Module (DACM) contains logical and network functions and can be pre-programmed off-site, allowing commissioning to commence prior to finalizing finish options.
- **Multiple language and icon labeling** – Button labeling language choices include English, Chinese and Arabic. A library of common icons transcends language barriers, which is particularly useful in hospitality applications.
- **Custom button engraving** – Available on request.
- **Décor-matching options** – Buttons and frames are available in a range of attractive glass-look polycarbonate finishes.
- **64-channel DMX Tx support** – Can be factory-set to DMX instead of DyNet, to communicate directly with DMX fixtures

\* The mounting plate must be grounded to avoid field effect false triggering by nearby ungrounded metal objects.

---

## Dimensions



# Specifications

Due to continuous improvements and innovations, specifications may change without notice.



**PDRxE**  
Revolution Euro

## Electrical

|                |   |
|----------------|---|
| Supply Type    | DyNet   |
| Supply Voltage | 12-24 VDC<br>SELV/Class 2   |
| Supply Current | 60 mA (nominal), 120 mA (max) @ 12 VDC<br>35 mA (nominal), 60 mA (max) @ 24 VDC |

## Application Module

|                              |                                       |
|------------------------------|---------------------------------------|
| User Inputs                  | 2/4/8 x software-configurable buttons |
| Indicators                   | Color backlight on each button        |
| Temperature Sensor Range     | 5° to 40°C (41° to 104°F)             |
| Temperature Sensor Accuracy  | ± 1°C (± 1.8°F)                       |
| Field Effect Detection Range | approx. 10 cm (4 in)                  |

## Communication Module

|                     |                    |
|---------------------|--------------------|
| Serial Ports        | 1 x RS-485         |
| Supported Protocols | DyNet<br>DMX Tx    |
| DMX Tx Channels     | 64                 |
| User Inputs         | 1 x service switch |
| Indicators          | 1 x service LED    |

## Physical

|                                      |   |
|--------------------------------------|---|
| Dimensions (H x W x D)               | 88 x 88 x 38 mm (3.46 x 3.46 x 1.5 in)<br>(fully assembled) |
| Packed Weight (application module)   | 0.2 kg (0.44 lb)  |
| Packed Weight (communication module) | 0.12 kg (0.25 lb)   |
| Button/Frame Finish                  | See Page 4  |
| Serial Ports                         | 1 x 5-way pluggable screw terminal<br>+V, D-, D+, GND, SHLD |
| Serial Port Conductor Size           | 2.5 mm <sup>2</sup> (12 AWG) (max)                          |

## Environment\*

|                               |                                      |
|-------------------------------|--------------------------------------|
| Operating Temperature         | 0° to 50°C ambient (32° to 122°F)    |
| Storage/Transport Temperature | -25° to 70°C ambient (-13° to 158°F) |
| Relative Humidity             | 0-90% non-condensing                 |
| IEC Pollution Degree          | II                                   |

## Compliance

|               |                                    |
|---------------|------------------------------------|
| Certification | CE, RCM, FCC, ICES-003, UKCA, RoHS |
| IP Rating     | IP40                               |

\* For indoor installation only

## Revolution Euro Models

### PDR8E - Eight buttons



Standard labeling shown

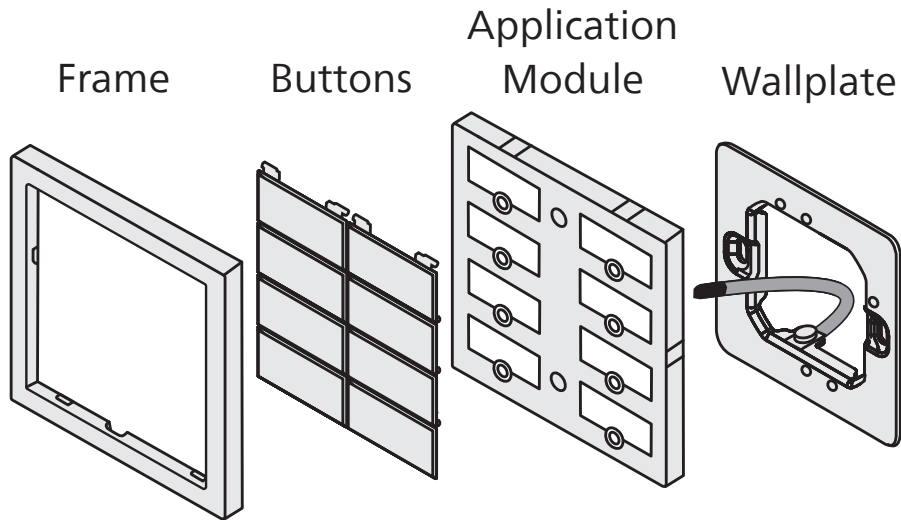
### PDR4E - Four buttons



### PDR2E - Two buttons



# Revolution Panel Assembly



---

## Button Finishes



Black



White

---

## Frame Finishes



Black



White

## Application Module Ordering Code

The Application Module contains the mounting plate, base, frame, and buttons. The buttons and frame assembly are available in the range of finishes shown below. The base contains all the sensors and LED indicators. A metal mounting plate attaches the Revolution panel securely to the wall, ensuring stable, reliable operation.



# PDR8xxE-BBB-S

### Number of Buttons\*

8 = Eight buttons

4 = Four buttons

2 = Two buttons

\* Placeholder 'x' slots reserved for future release of two- and three-gang frames..

### Button Finish

B = Black

W = White

### Frame Finish

BB = Black

WW = White

### Button Labeling

S = Standard labeling

L = Custom labeling

## Communication Module Ordering Code

The Dynalite Application Communication Module (DACM v3 or later) is compatible with all interfaces across the Revolution series, and can be ordered, programmed, installed, wired and tested without the Application Module attached.

This allows the commissioning process to begin before the final finish options have been chosen, or during construction, and protects the Application Module from damage until the site is ready for occupancy.



### Product

DACM-DyNet (DyNet comms module)

**Philips 12NC**

913703072809

### Accessories

DINGUS-DUS-DUAL-RJ12 (dual RJ12 connector - pack of 10)

913703064309

DINGUS-UI-DUAL-RJ45 (dual RJ45 connector - pack of 10)

913703334609



© 2023 Signify Holding. All rights reserved. Specifications are subject to change without notice. No representation or warranty as to the accuracy or completeness of the information included herein is given and any liability for any action in reliance thereon is disclaimed. Philips and the Philips Shield Emblem are registered trademarks of Koninklijke Philips N.V. All other trademarks are owned by Signify Holding or their respective owners.